

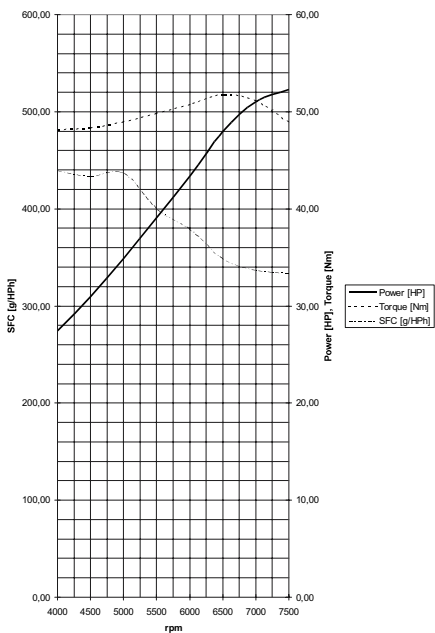
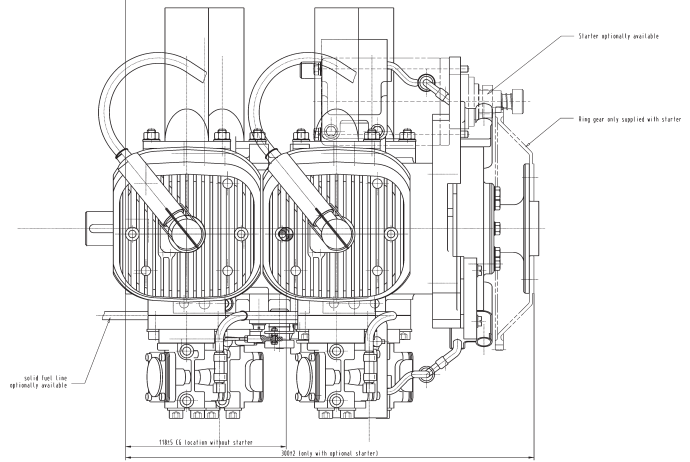
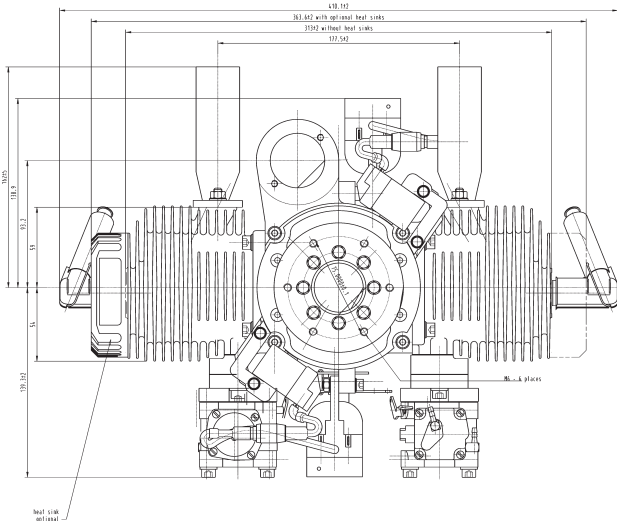
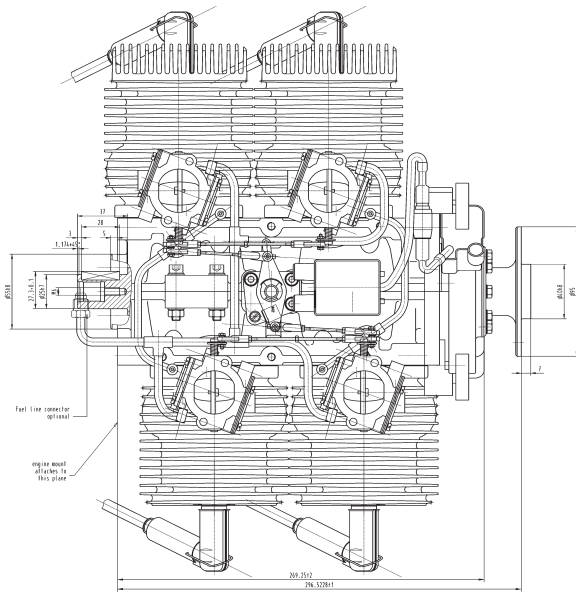
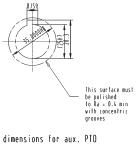
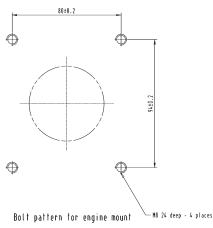
LIMBACH *L 550 E*

Four cylinder, horizontally opposed, air cooled, two cycle engine, with solid state magneto ignition, mixture lubrication. Suitable for pusher and tractor installations.

Performance	37 kW (50 HP) at 7500 rpm	Starter	without
Bore	66 mm / 2.60 inch	Generator	without
Stroke	40 mm / 1.57 inch	Dry weight approx.	16 kg
Displacement	548 cm ³ / 33.44 cub. inches	Fuel	AVGAS 100LL or 90 RON mixed with a suitable oil to the ratio of 1:25 or 1:50 (with synthetic oil)
Crankcase	Aluminum casting	Optional Equipment:	Shielded ignition system
Crankshaft	Drop forged, seven piece		Exhaust stacks
Pistons	Cam ground, casted aluminum alloy		Starter 12/24 V, 0.3 kW
Cylinders	Casted aluminum alloy, with nicasil coated barrel		Generator 28 V, 1200 W
Ignition system	Solid state magneto ignition		
Firing Order	Two opposing cylinders simultaneously, 180 deg. offset		
Carburators	4 diaphragm all position carburators		

Limbach Flugmotoren GmbH & Co. KG
Kotthausener Straße 5
D-53639 Königswinter-Sassenberg
Tel. ++49-22 44/92 01-0
Fax ++49-22 44/92 01-30
E-Mail: sales@limflug.de
www.limflug.de

7.1.1



Engine with accessories

Limbach Flugmotoren GmbH & Co.KG
Kotthausener Straße 5
D-53639 Königswinter-Sassenberg
Tel. ++49-2244/9201-0
Fax ++49-2244/9201-30
E-Mail: sales@limflug.de
www.limflug.de