

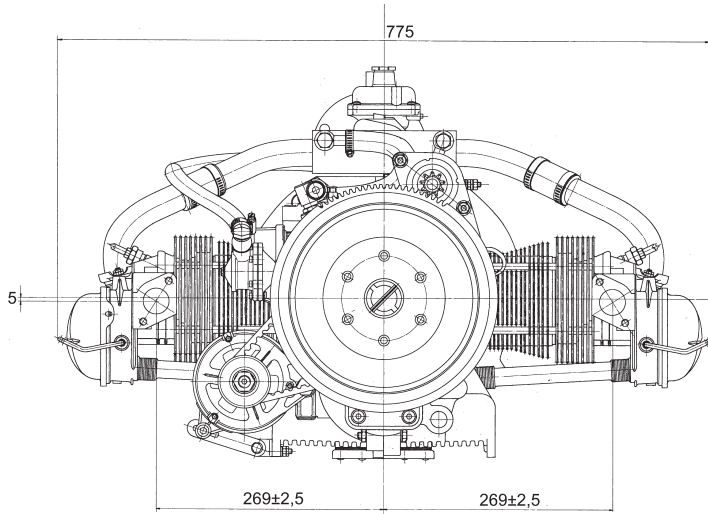
LIMBACH **L1700 EA**, **L2000 EA**

Four cylinder, horizontally opposed air cooled engine, with single magneto ignition, wet sump pressure lubrication

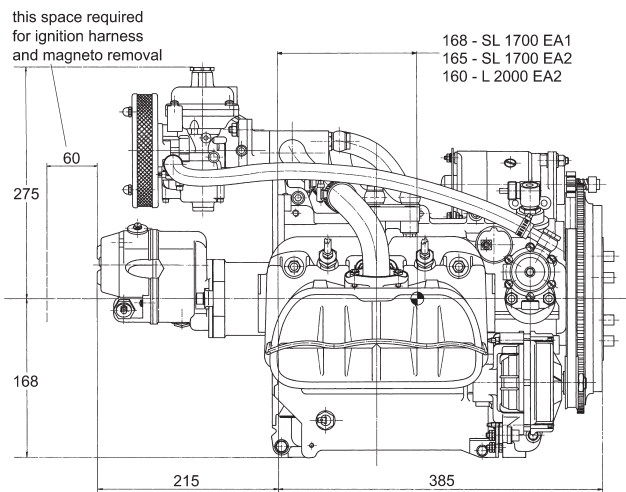
L 1700 EA:		Air cleaner	LIMBACH
Maximum HP (5 min)	60 hp / 44 kW / 3600 rpm	Mechanical fuel pump	APG-LIMBACH
Continuous HP	56 hp / 41 kW / 3300 rpm	Starter	12 V - 1,1 kW
Bore	88 mm / 3.46 inch	Generator	14 V - 28 A
Stroke	69 mm / 2.71 inch	Oil pressure	max. 4 bar; min. 1 bar at 2500 rpm
Displacement	1680 cm / 102.52 cub. in.	Oil temperature	max. 120 °C; min. 50 °C
Compression ratio	8 : 1	Oil capacity	2.5 ltrs
L 2000 EA:		Cylinder head temp.	max. 250 °C
Maximum HP (5 min)	80 hp / 59 kW / 3400 rpm	Tachometer drive	mechanical
Continuous HP	70 hp / 51 kW / 3000 rpm	Propeller drive	direct, anti-clockwise
Bore	90 mm / 3.54 inch	Propeller hub	EA 1 for variable pitch
Stroke	78.4 mm / 3.09 inch		EA 2 for fixed pitch
Displacement	1994 cm / 121.68 cub. in.	Dry weight approx.	L 2000 EA: 69 kg ¹
Compression ratio	8.6 : 1	Fuel consumption	L 1700 EA: 73 kg ¹
Magneto	Slick 4330		should be individually established during flight tests, however the average fuel consumption is approx.:
Harness	LIMBACH		10 ltrs/hr L 1700 EA
Spark plugs	LIMBACH LB-N41.0		12 ltrs/hr L 2000 EA
Electrode spacing	0.5 mm	LBA Type Certificate No.	4582 (JAR 22-H) L 1700 EA
Firing Order	1 - 3 - 2 - 4		4597 (JAR 22-H) L 2000 EA
Firing point	30° BTDC		
Carburetor	Zenith 150 CD-3		
Fuel min. octane	98 RON (Unleaded) or AVGAS 100LL		

¹ Optionally available in "light" version with aluminium cylinders: dry weight approx.: 69 kg.

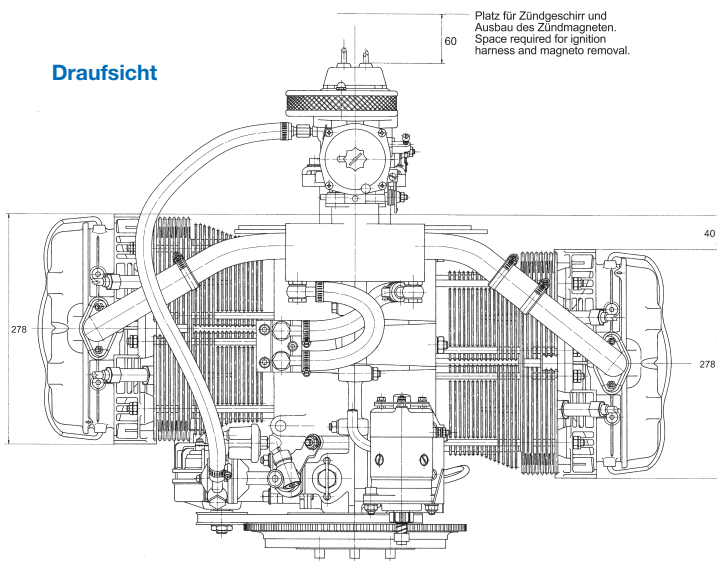
Frontansicht



Seitenansicht



Draufsicht



Limbach Flugmotoren GmbH & Co.KG
Kotthausener Straße 5
D-53639 Königswinter-Sassenberg
Tel. ++49-2244/9201-0
Fax ++49-2244/9201-30
E-Mail: sales@limflug.de
www.limflug.de