

Subject: Starter shaft support for starter SJCE 0,9 kW

Affected engine models: All engine models:

L 2000 EA

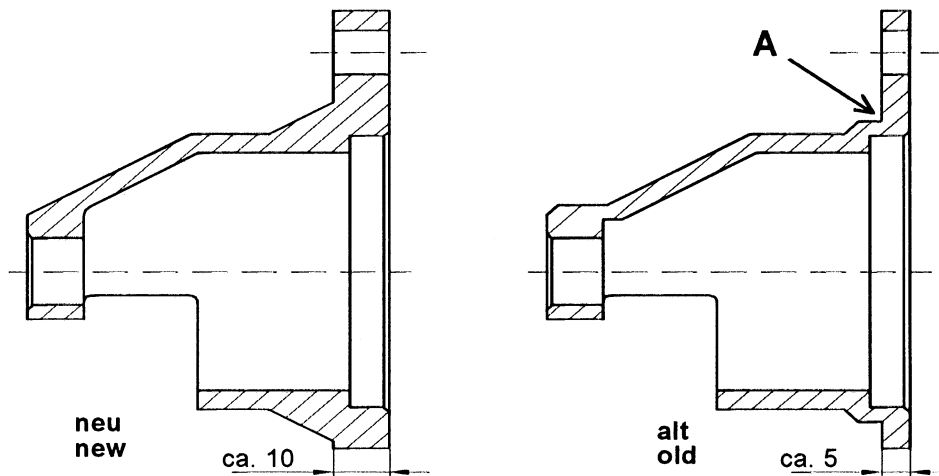
which are equipped with starter SJCE 0,9 kW P/No.: 202.143.020.000

Background information: Broken starter shaft support on engines, which are equipped with the abovementioned starter in several cases, as indicated by arrow „A“.

Priority: Immediately

Compliance:

1. Check whether engine is equipped with the abovementioned starter. The starter can be easily identified. It is mounted to the engine by a sheet metal strap and two bolts.
2. Check whether a reinforced starter shaft support is already mounted. The new style may be identified according to the illustrations shown below. If the new style starter shaft support is already installed, this technical bulletin is not applicable anymore.



3. Replace old style starter shaft support with new unit P/No.: 202.143.201.000

Installation procedure:

1. Disconnect spark plug leads and battery lead.
2. Unscrew strap and two flange bolts. Caution: do not loosen the starter mounting bracket.
3. Remove starter from mounting bracket and replace starter shaft support.
4. Insert starter with new shaft support into the mounting bracket.
5. Install flange bolts and tighten slightly. Insert strap and tighten.
6. Tighten flange bolts (20 Nm).
7. Attach battery and spark plug leads.

Remarks: This document has been translated to the best of our knowledge. In case of doubt however only the German original shall be considered authoritative.

Approval: This Technical Bulletin is approved in accordance with the procedures of the LBA approved development organization I-EC 27.

Bearb.: Stolinski	Replaces Edition from:	Page: 1 of 1 Pages
Gepr. + Freig.: <i>M. Müller</i>	Edition: 06.09.96	Reg.-Nr.: 036 Datei: TB52.DOC