

LIMBACH **L2000 EB**, **L2400 EB**

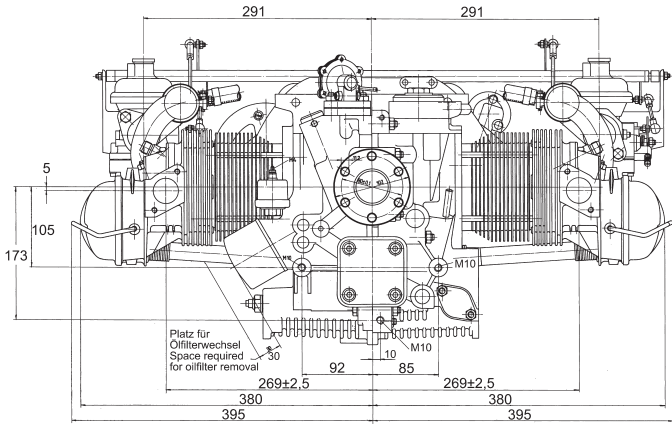
Four cylinder, horizontally opposed air cooled engine, with single magneto ignition, wet sump pressure lubrication

L 2000 EB		Air cleaner	2 x LIMBACH
Maximum HP (5 min)	80 hp / 59 kW / 3400 rpm	Fuel pump	LIMBACH
Continuous HP	70 hp / 51 kW / 3000 rpm	Starter with solenoid	12 V - 1.1 kW
Bore	90 mm / 3.54 inch	Generator	14 V - 33 A or 14 V - 55 A
Stroke	78.4 mm / 3.09 inch	Oil pressure	max. 7 bar; min. 1 bar at 2500 rpm
Displacement	1994 cm ³ / 121.68 cub. in.	Oil temperature	max. 120°C; min. 50 °C
Compression ratio	8.4 : 1	Oil capacity	3.5 ltrs
L 2400 EB		Cylinder head temp.	max. 250 °C
Maximum HP (5 min)	87 hp / 64 kW / 3200 rpm	Tachometer drive	mechanical
Continuous HP	84.5 hp / 62 kW / 3000 rpm	Propeller drive	direct, anti-clockwise
Bore	97 mm / 3.82 inch	Propeller hub	EB 1 for variable pitch
Stroke	82 mm / 3.23 inch	Dry weight approx.	76,5 kg L 2000 EB
Displacement	2424 cm ³ / 147.91 cub. in.		82 kg L 2400 EB
Compression ratio	8.5 : 1	Fuel consumption	should be individually established during flight tests, however the average fuel consumption is approx.:
Ignition	Slick 4330		12 ltrs/hr L 2000 EB
Harness	LIMBACH		14 ltrs/hr L 2400 EB
Spark plugs	LIMBACH LB-N41.0	LBA Type Certificate No.	4597 (JAR 22-H) L 2000 EB
Firing Order	1 - 3 - 2 - 4		4607 (JAR 22-H) L 2400 EB
Firing point	30° BTDC		
Carburetor	2 x ZENITH 150 CD-3		
Fuel min. octane	98 RON (Unleaded) or AVGAS 100LL		

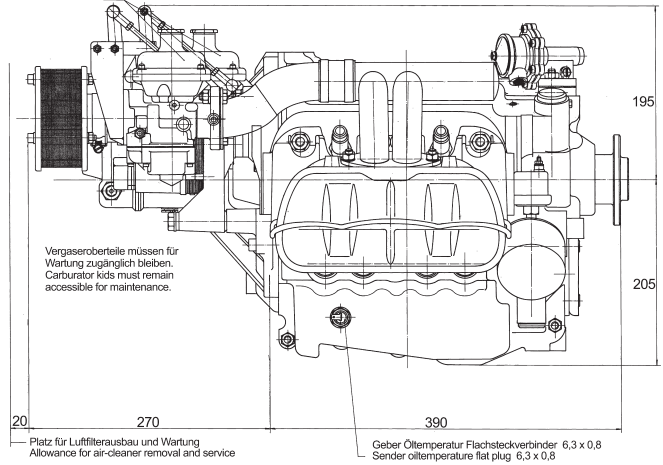
L 2400 EB shown

Limbach Flugmotoren GmbH & Co.KG
Kotthausener Straße 5
D-53639 Königswinter-Sassenberg
Tel. ++49-2244/9201-0
Fax ++49-2244/9201-30
E-Mail: sales@limflug.de
www.limflug.de

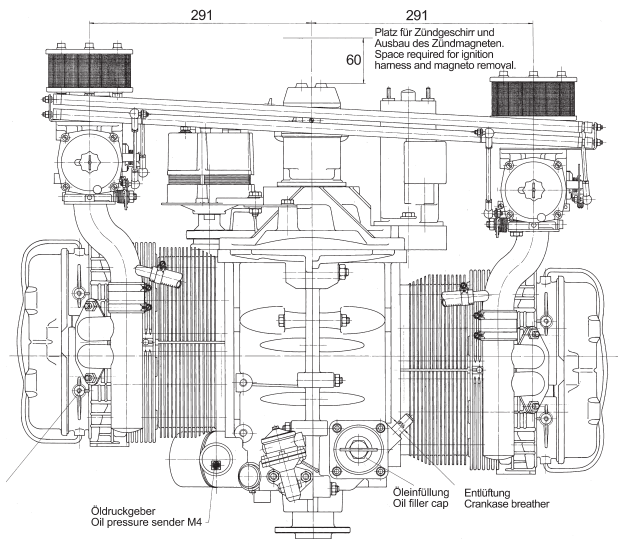
Frontansicht



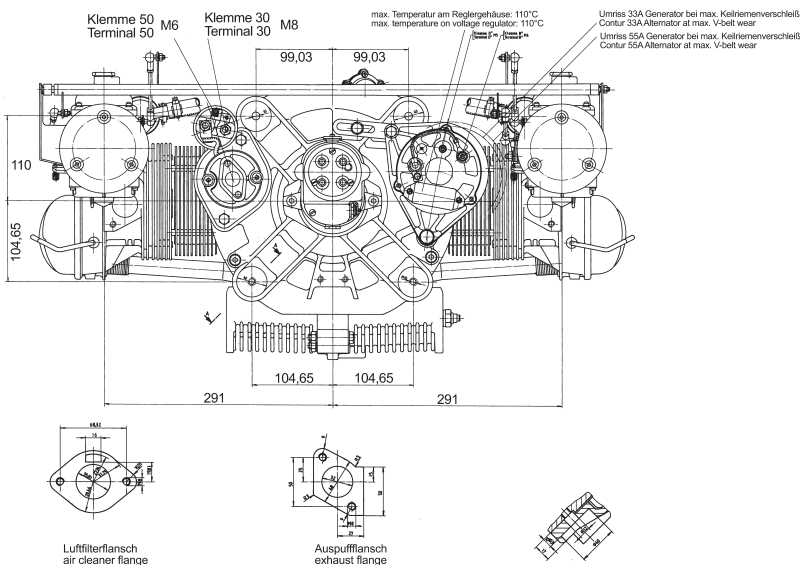
Seitenansicht



Draufsicht



Rückansicht



Limbach Flugmotoren
GmbH & Co.KG

Kotthausener Straße 5
D-53639 Königswinter-Sassenberg
Tel. ++49-2244/9201-0
Fax ++49-2244/9201-30
E-Mail: sales@limflug.de
www.limflug.de